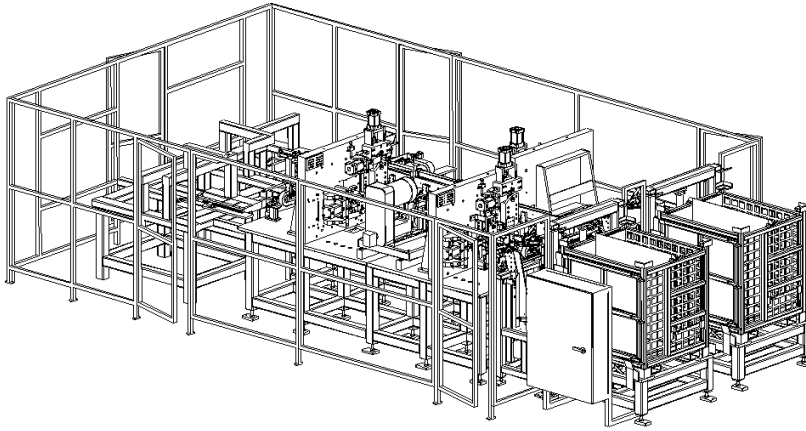


Automated End Forming & Bending System



Description

CMP builds high volume Flexible End Forming and Bending Systems to customer specifications.

This Project required a high volume automation solution for tube processing. Highly flexible, this system accommodated various End Form Bending configurations. This System provided better process control, lowered production costs while improving efficiencies.

Application

- Automotive Power Train Components
- Automotive HVAC Components
- Automotive Seating Components

Features

- Bulk Hopper/Feeder
- High Precision Tube End Locate
- Weld Seam Orientation
- CMP EFP100 End Former
- Roll Groover
- End Form Inspection (Laser)
- High Speed Tube Transfer
- Bender Loading System
- Fallout Rack
- Quick Tooling Changeover
- Machine Guarding
- Reject Area
- Colour Touch Screen HMI
- Error Messaging System

Specifications

Diameter Range	3/8" to 1 1/4"
Length Range	12" to 72"
Tube Capacity (Max.)	250 Pcs. @ 5/8 Dia.
Electrical*	480 VAC, 60 Hz
Pneumatic	80 PSI
Hydraulic	1,200 PSI (2,000 Max)

* Contact CMP for other power options available

Contact CMP directly for more information beyond the scope of this document



Cambridge Metal Products Inc.

402 Harmony Road, Ayr, Ontario, Canada, N0B 1E0

Tel: (519) 740-6035 Fax (519) 622-5894

Email: sales@cmpinc.ca

Web: www.cmpinc.ca